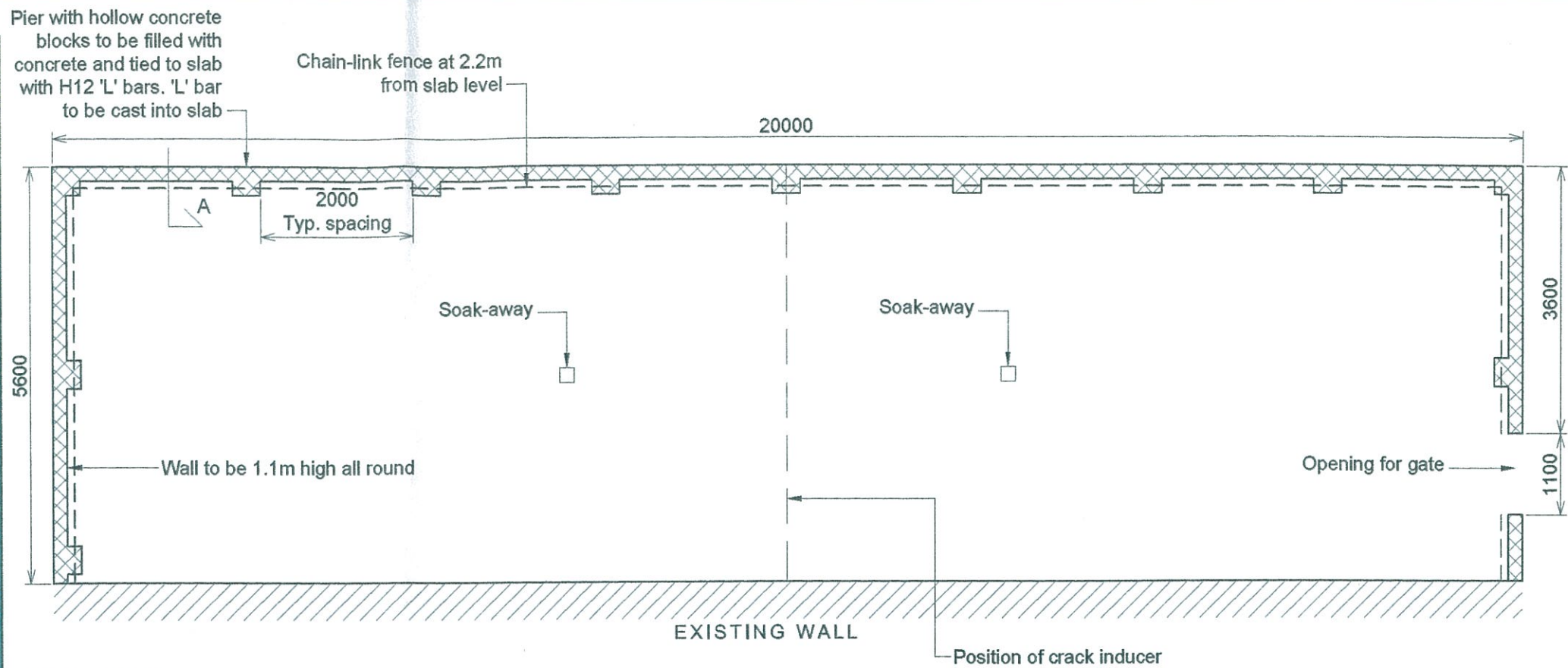
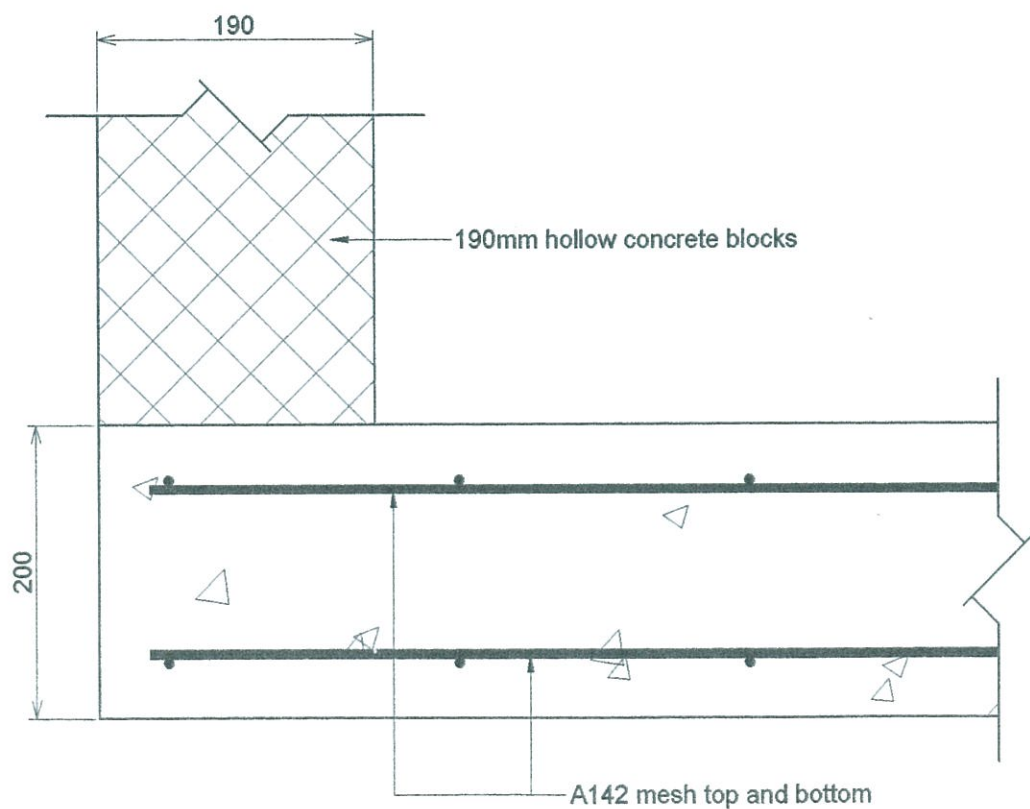




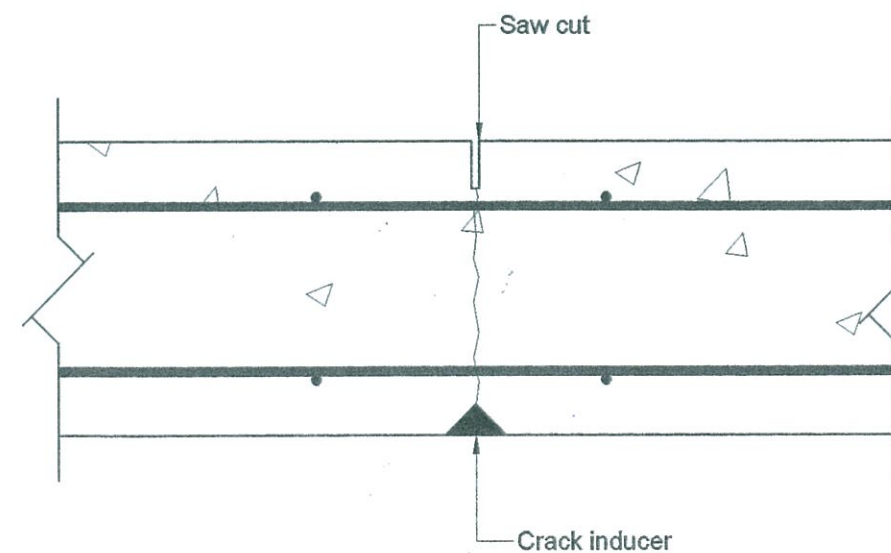
Location Plan (NTS)



Plan (NTS)



Section A (Typical) (NTS)



Floor Slab Crack Detail (NTS)

TOWN PLANNING AND BUILDING CONTROL
 21 AUG 2013
Koala CONSTRUCTION
 Ministry of Culture
 Government of Gibraltar
 RECEIVED

Catalan Bay
 Playground

15/08/2013

20162/SK/01A