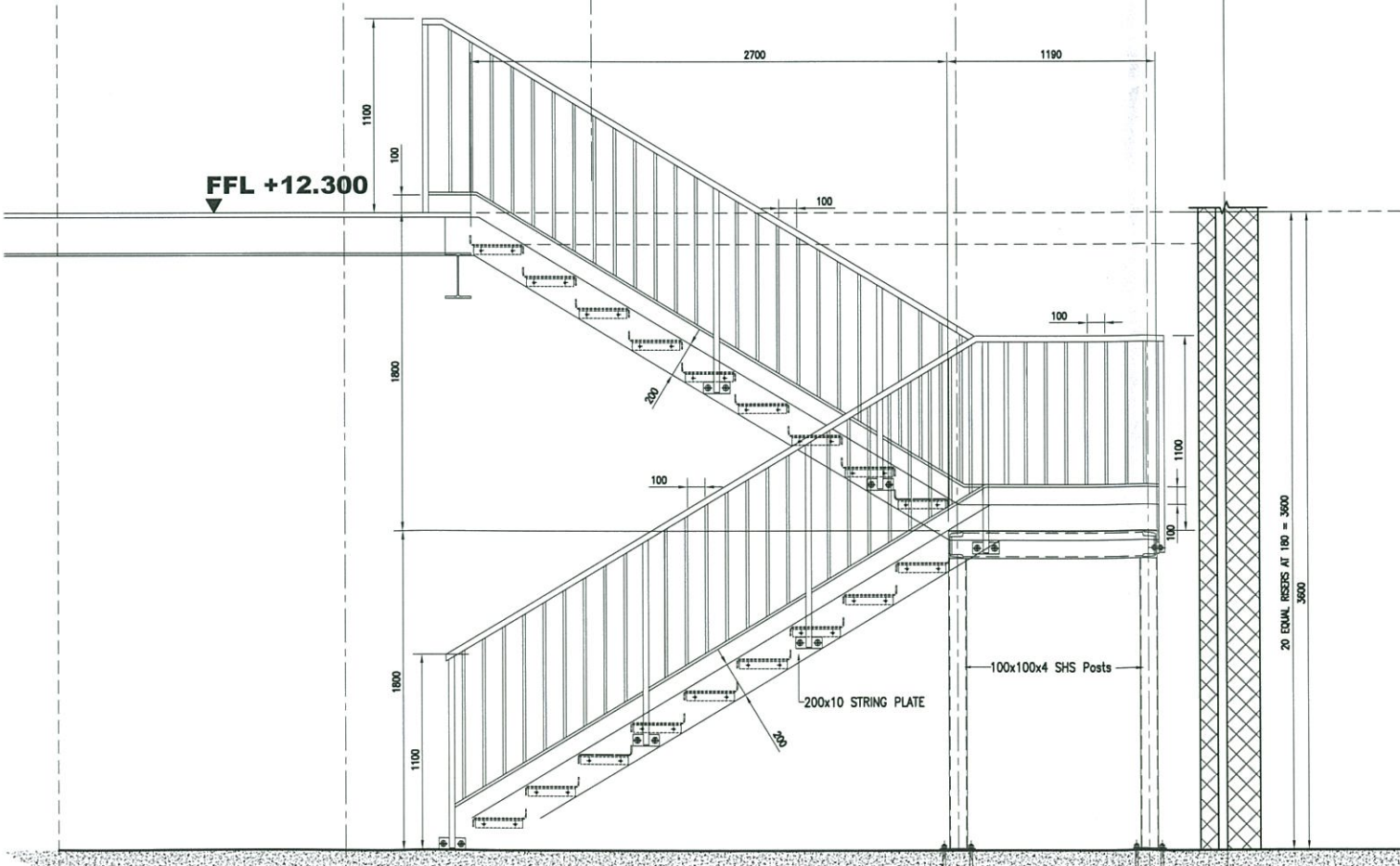
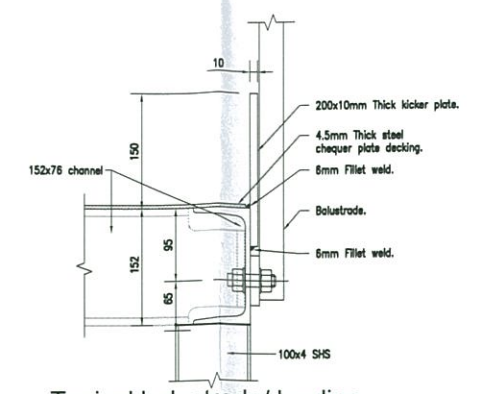


Typical Tread Detail

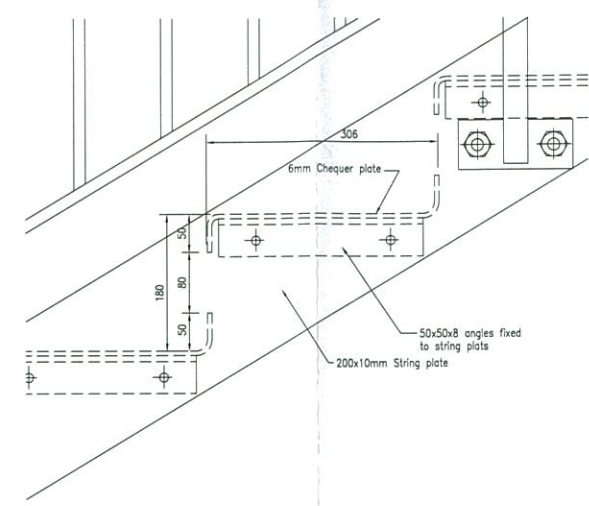
**INTERNAL STAIR PLAN
1 No Thus**



STAIR SECTION



Typical balustrade/ landing fixing detail
(Scale 1:5)



Typical Tread Detail
scale 1:5
ALL STEEL GRADE TO BE S355

- NOTES:**
- General**
- All dimensions are given in millimetres and all levels in meters. Do not scale. Work to figured dimensions. Contractor to check all dimensions. All errors and omissions to be reported to the engineers.
- Concrete**
- All structural concrete to comply with BS 8110 and to be grade C35/20 unless otherwise stated.
 - All concrete surfaces to be free from voids, honeycombing or other blemishes.
 - Concrete to be vibrated by mechanical means.
 - Cement to be ordinary portland to BS 12.
- Reinforcement**
- Reinforcement to be cut and bent to BS 8666:05.
 - All rod reinforcement to be high yield deformed type 2 to BS 4449:2005
 - The characteristic strength of reinforcement to be 500 N/mm² (grade B500).
 - Concrete cover to reinforcement to be:

MEMBER	Top	Bottom	Sides
Foundations	-	-	-
Walls	-	-	-
Slabs	-	-	-
Columns	-	-	-
Beams	-	-	-

- Steelwork**
- All structural steelwork to be grade S275 and S355 in accordance with BS 5950
 - This drawing to be read in conjunction with fabricators details.
 - Steelwork corrosion protection (generally): SEE STEELWORK SPECIFICATION.
 - All temporary support work to be the sole responsibility of the contractor.
- Masonry**
- All structural masonry to be in accordance with BS 5628.
 - Masonry specification; (delete as appropriate) brickwork 15 20² N/mm² blockwork 7N/mm² mortar designation (ii) (ii) (ii)
 - Wall ties to be stainless steel at 450mm centres horizontally and vertically. At openings they are to be spaced at 300mm centres vertically, 225mm from edge of opening, and 150mm from face of columns.
- TIMBER**
- All structural timber to be GS grade C16 and treated, All in accordance with BS 5268

Revisions	Date	Revised by
A	14.6.13	JP

Architect: . . .

Client: **GOVERNMENT OF GIBRALTAR**

Project: **St JOSEPH'S SCHOOL**

Drawing Title: **INTERNAL STAIRS STEELWORK DETAILS**

Date	Scale	A1	Drawn By
6.06.13	1:20.5		JP
THIS DRG. MUST BE READ			
With DRG. No.	Engineer		
and SCHEDULES Nos.			

Drawing Status		
TENDER		
Job. No.	Dwg. No.	Rev.
787	05	A

BELILOS
CONSULTING ENGINEERS
2/1 ENGINEER LANE GIBRALTAR
TEL +350 2007648 FAX +350 2007293
E-MAIL: mail@belilosgi

