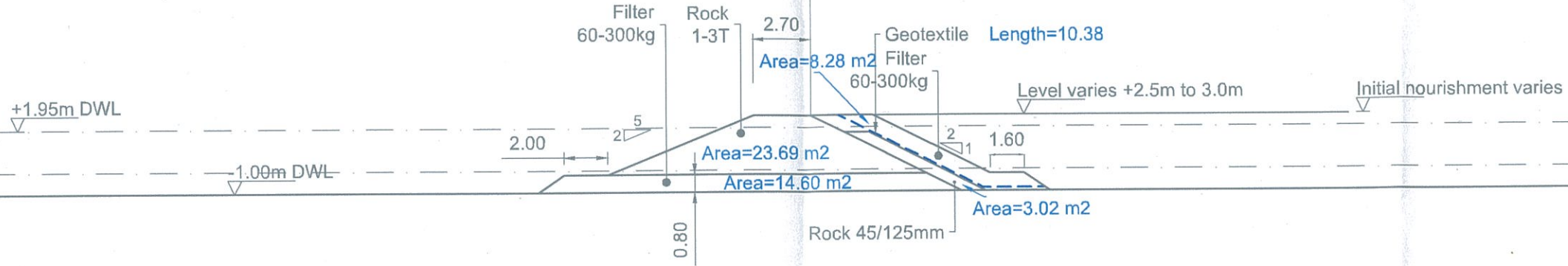


Cross Section E

Scale 1:250

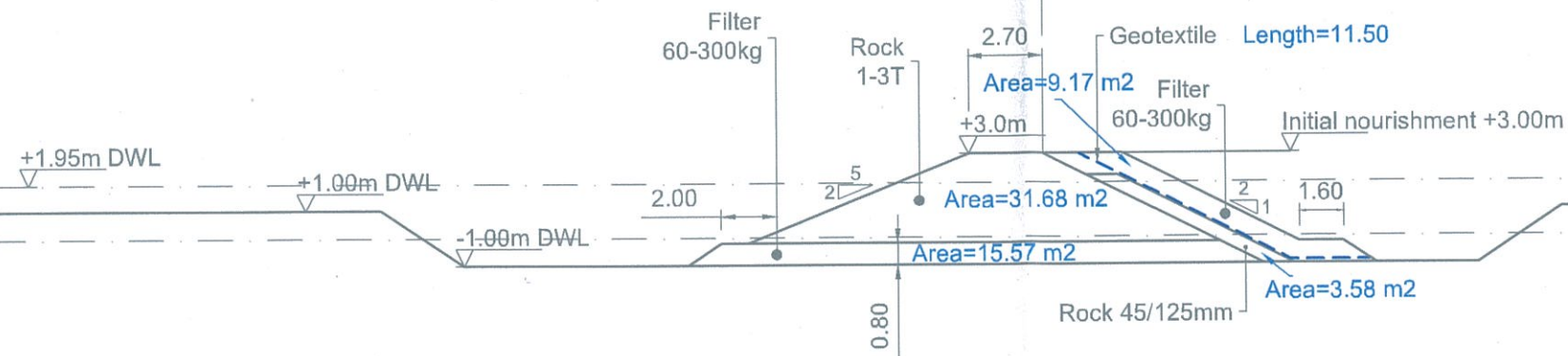
North



Cross Section F

Scale 1:250

North



TOWN PLANNING AND
BUILDING CONTROL
17 APR 2013
RECEIVED

Contractor:



Client:

Government of Gibraltar



Project:

Sandy Bay
Gibraltar

Title:

Cross Sections
Concept Design Perched Beach

						Dwg. Nr.:	293021-DTB-0101	
						Client Dwg. Nr.:		
02	15 Feb '13	Internal Review	PEH	ALL	UPE	Project Nr.:	29.3021	
01	11 Feb '13	Internal Review	MTI	ALL	UPE	Sheet Nr.:	3 of 3	
Rev. Nr.	Date	Reason for Issue	Prepared	Checked	Approved	Scale:	1 : 250	Cur. Rev: 01