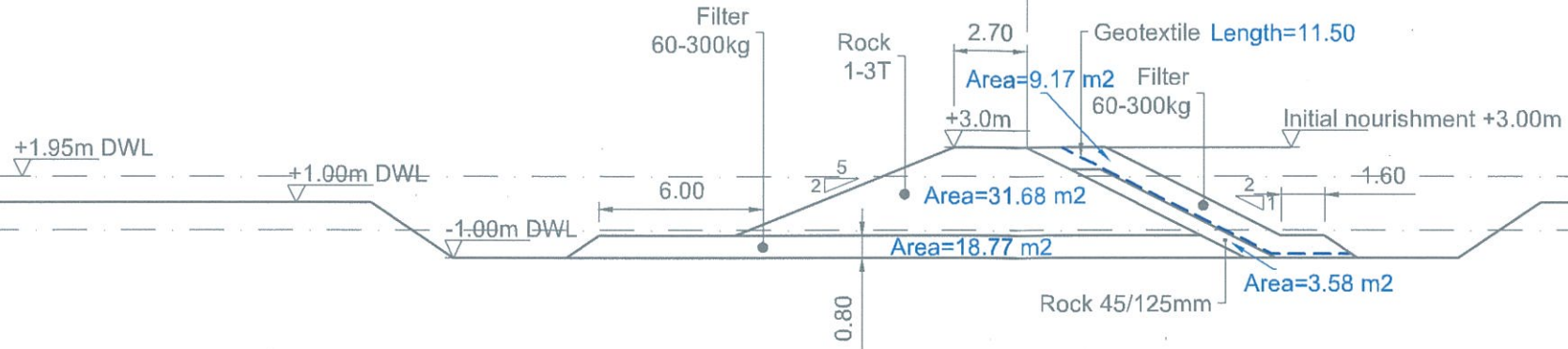
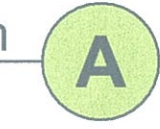


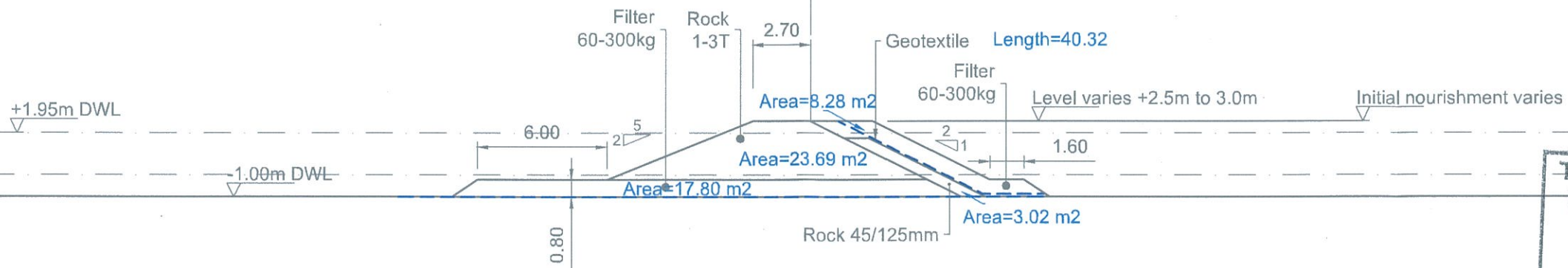
Cross Section A
Scale 1:250

South



Cross Section B
Scale 1:250

South



TOWN PLANNING AND
BUILDING CONTROL
17 APR 2013
RECEIVED

DRAFT

Contractor: 	Client: Government of Gibraltar 	Project: Sandy Bay Gibraltar						Dwg. Nr.: 293021-DTB-0101
		Title: Cross Sections Concept Design Perched Beach	Rev. Nr. 01 Date 11/05/13	Reason for Issue Internal Review	Prepared MTI	Checked ALL	Approved UPE	Client Dwg. Nr.: Project Nr.: 29.3021 Sheet Nr.: 1 of 3
This document has copyright and shall not be reproduced without the permission of Van Oord D.M.C.							Scale: 1 : 250 Cur. Rev: 01	