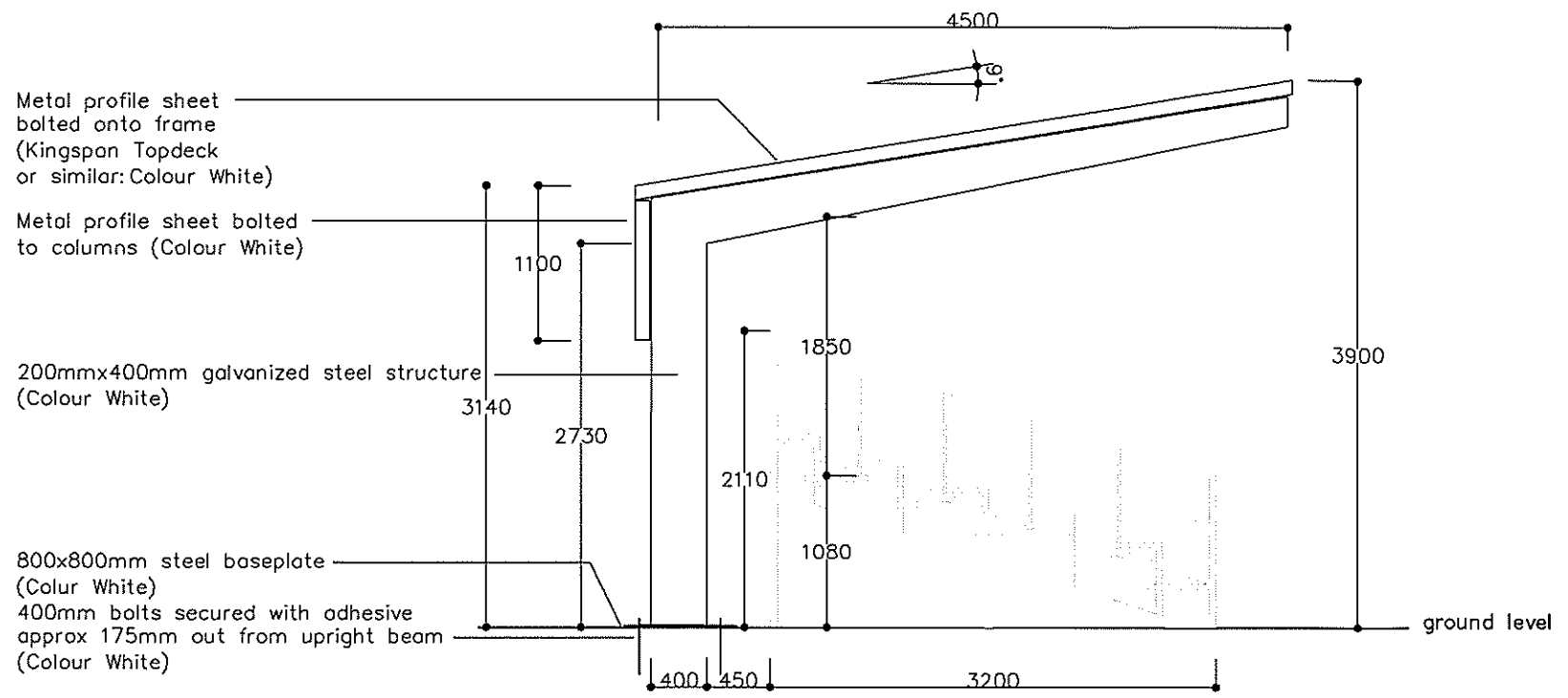
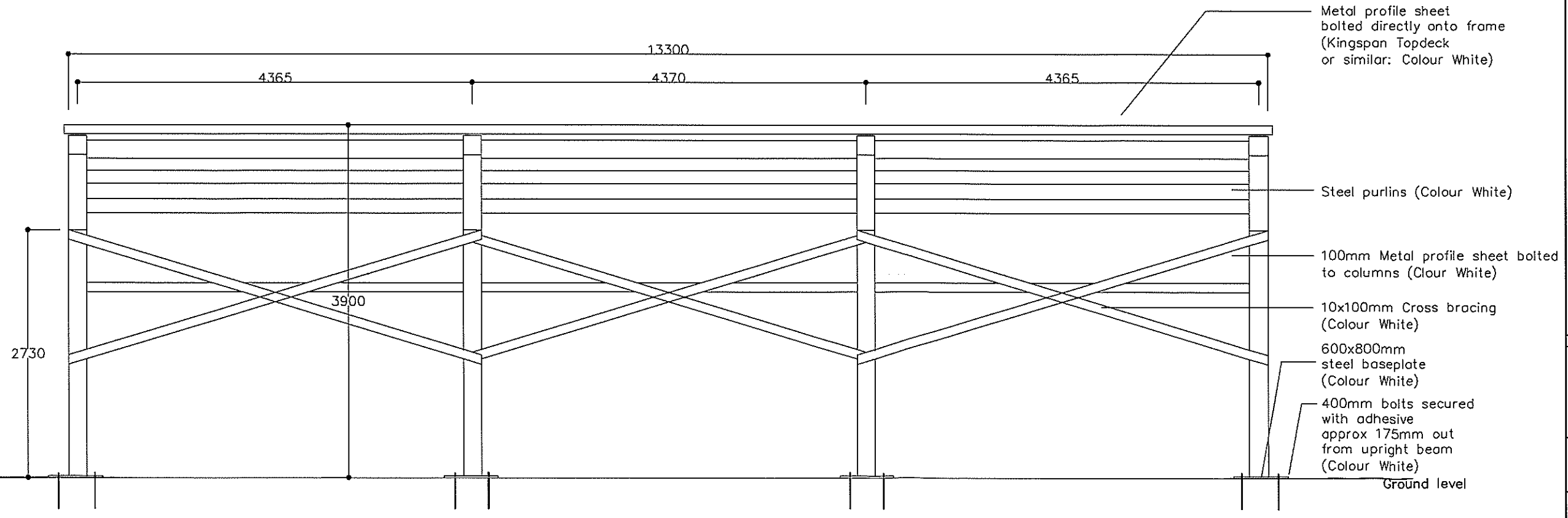


notes  
 This drawing is the copyright and property of AKS Architects and Engineers Ltd. It must not be copied or published without written consent.  
 Do not scale from this drawing.  
 All dimensions to be checked on site.




SIDE ELEVATION



FRONT ELEVATION

- Metal profile sheet bolted directly onto frame (Kingspan Topdeck or similar: Colour White)
- Steel purlins (Colour White)
- 100mm Metal profile sheet bolted to columns (Colour White)
- 10x100mm Cross bracing (Colour White)
- 600x800mm steel baseplate (Colour White)
- 400mm bolts secured with adhesive approx 175mm out from upright beam (Colour White)

A 6.3.13 Structure modified		
rev	date	description
 AKS ARCHITECTS & ENGINEERS P.O. Box 855, Gibraltar Tel: (+350) 20073260 Fax: (+350) 20074739 Email: mail@aks.gi		
client Profield Contractors Ltd.		
project 213021 - Victoria Stadium Canopy		
title Proposed elevations		
scale 1:50@A3		
drw	LM	chk DH
drawing no.	rev.	date
213021.103	A	5.03.13