

ROOF LEVEL (Existing and new structure)
SCALE 1:50

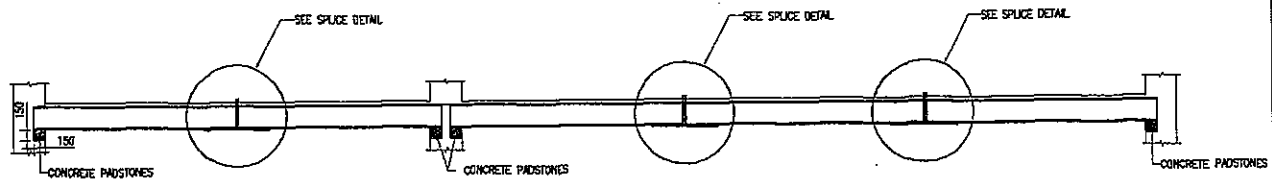
INSPECTION POINTS

IP.1 to 5: ENGINEER TO INSPECT AND CONFIRM EXISTING TRUSS BEARINGS AND WALL PLATE CONDITION.

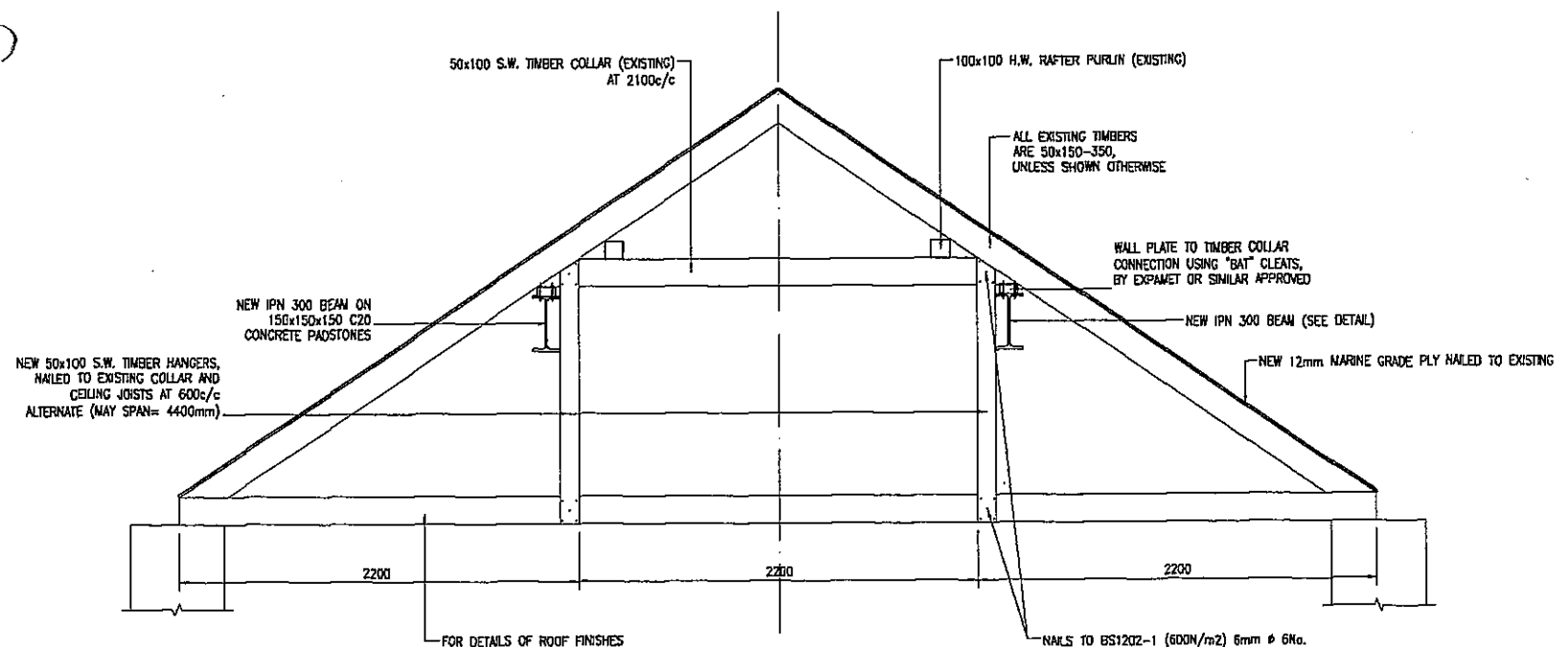
IP.6 to 9: ENGINEER TO INSPECT AND CONFIRM BEARING AND CONDITION OF EXISTING RAFTER PURLINS.

IP.10: ENGINEER TO INSPECT AND CONFIRM CEILING JOISTS AND HANGER CONDITION.

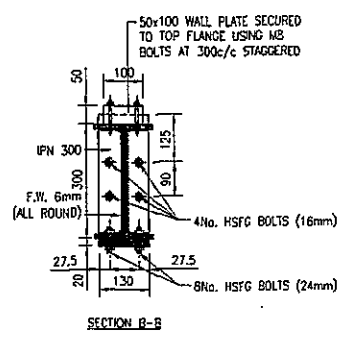
IP.11: ENGINEER TO INSPECT AND CONFIRM RAFTER CONDITION.



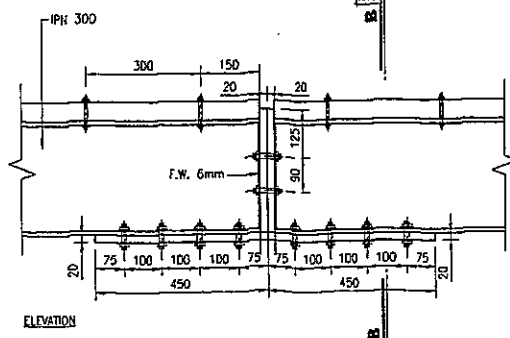
ELEVATION IPN 300
SCALE 1:50



SECTION A-A
SCALE 1:20



SPLICE DETAIL
SCALE 1:10



- NOTES**
- GENERAL**
- ALL DIMENSIONS ARE GIVEN IN MILLIMETRES AND ALL LEVELS IN METERS.
 - DO NOT SCALE WORK TO FIGURED DIMENSIONS. CONTRACTOR TO CHECK ALL DIMENSIONS. ALL ERRORS AND OMISSIONS TO BE REPORTED TO THE ENGINEERS.
- CONCRETE**
- ALL STRUCTURAL CONCRETE TO COMPLY WITH BS 8110 AND TO BE GRADE C 35/20 UNLESS OTHERWISE STATED.
 - ALL CONCRETE SURFACES TO BE FREE FROM VOIDS, HONEYCOMBING OR OTHER BLENDSHES.
 - CONCRETE TO BE VIBRATED BY MECHANICAL MEANS.
 - CEMENT TO BE ORDINARY PORTLAND TO BS 12.
 - REINFORCEMENT TO BE CUT AND BENT TO BS 4468.
 - ALL ROD REINFORCEMENT TO BE HIGH YIELD DEFORMED TYPE 2 TO BS 4449.
 - THE CHARACTERISTIC STRENGTH OF REINFORCEMENT TO BE 460 N/mm² (GRADE 460).
 - CONCRETE COVER TO REINFORCEMENT TO BE

MEMBER	TOP	BOTTOM	SIDES
FOUNDATIONS	50mm	50mm	50mm
WALLS	30mm	30mm	30mm
COLUMNS	30mm	30mm	30mm
SLABS	25mm	25mm	25mm
BEAMS	30mm	30mm	30mm

- STEELWORK**
- ALL STRUCTURAL STEELWORK TO BE GRADE 43A IN ACCORDANCE WITH BS 449.
 - ALL SITE CONNECTIONS TO BE 6 mm FW ALL ROUND UNLESS OTHERWISE SHOWN.
 - STEELWORK CORROSION PROTECTION (GENERALLY): SHOP APPLIED-BLAST CLEAN, PRE-FABRICATION-PRIMED, OR ZINC PHOSPHATE 20um (IF NECESSARY), POST FABRICATION-HB ZINC PHOSPHATE MODIFIED ALKYL 75um. (OR 50um IF ALREADY PRIMED). SITE APPLIED-PRIMER, TOUCH UP, AS NECESSARY. TOP COAT- HB ALKYL FINISH 60um.
 - ALL TEMPORARY SUPPORT WORK TO BE THE SOLE RESPONSIBILITY OF THE CONTRACTOR.
- TIMBER**
- ALL STRUCTURAL TIMBER TO BE CS GRADE C18 AND TREATED, ALL BY ACCORDANCE WITH BS 5268.
- MASONRY**
- ALL STRUCTURAL MASONRY TO BE IN ACCORDANCE WITH BS 5628.
 - MASONRY SPECIFICATION: (delete as appropriate) BRICKWORK 20 Nmm² MORTAR DESIGNATION (f) (p) (w) (d)
 - WALL TIES TO BE STAINLESS STEEL AT 450mm CENTRES HORIZONTALLY AND VERTICALLY. AT OPENINGS THEY ARE TO BE SPACED AT 300mm CENTRES VERTICALLY, 225mm FROM EDGE OF OPENING, AND 150mm FROM FACE OF COLUMNS.
- 19 THE FOLLOWING STRUCTURAL PROPOSAL IS BASED ON A LIMITED (ACCESS) STRUCTURAL SURVEY. THE ENGINEER RESERVES THE RIGHT TO MODIFY, ALTER AND ADD ADDITIONAL WORKS, BASED ON AN INSPECTION TO BE CARRIED OUT AFTER THE STRIPPING OF THE EXISTING CORRUGATED SHEETING.
- 20 ALLOW FOR STRIPPING ALL EXISTING TIMBER ROOF DECKING.
- 21 ALLOW FOR SPRAY PROTECTION (1 LITRE PER 3m²) TIMBER TREATMENT TO EXISTING, USING "CUPRINOL" WOOD PRESERVER CLEAR, OR SIMILAR APPROVED.

Revisions	Date	By

Architect
John Langdon BArch.

Client
Government of Gibraltar

Project
The Main Guard 13 John Mackintosh Square Gibraltar Heritage Trust

Drawing Title
PROPOSED STRUCTURAL WORKS TO ROOF LEVEL

Date
MAY 2007 1:50 1:20 1:10 A1
DRAWN BY: JAMM
CHECKED BY: JAMM
DATE OF ISSUE: 05/05/07

Rep. No. **605/D/02**

M.E. BELLO & PARTNERS
CONSULTING ENGINEERS
21 ENGINEER LANE GIBRALTAR
TEL (350) 72548
FAX (350) 72283
E-mail: bello@mebello.com

