

notes

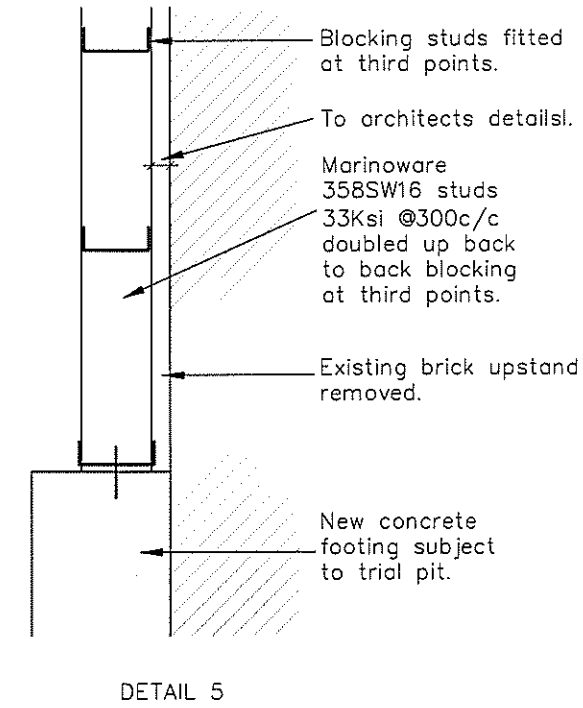
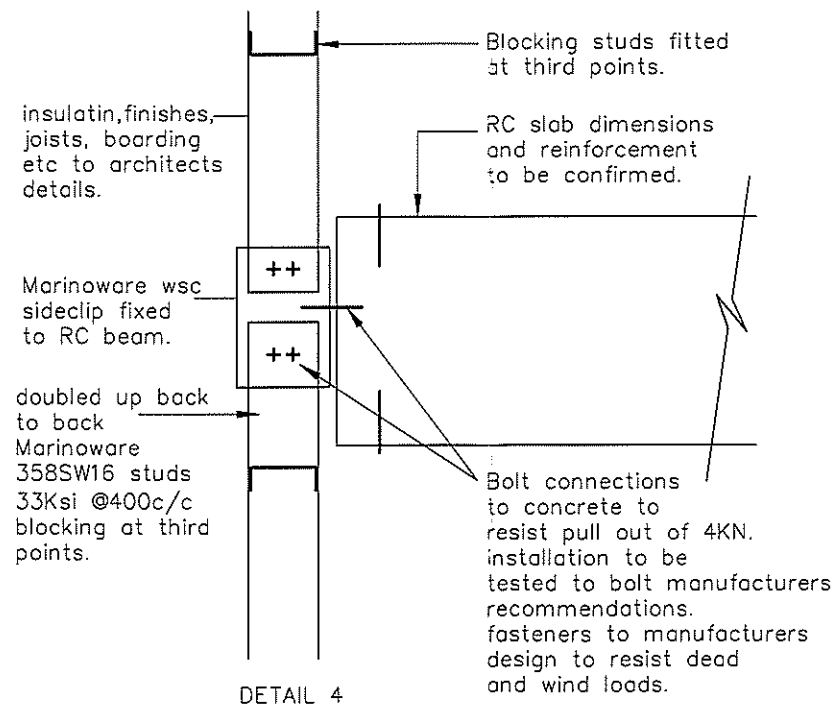
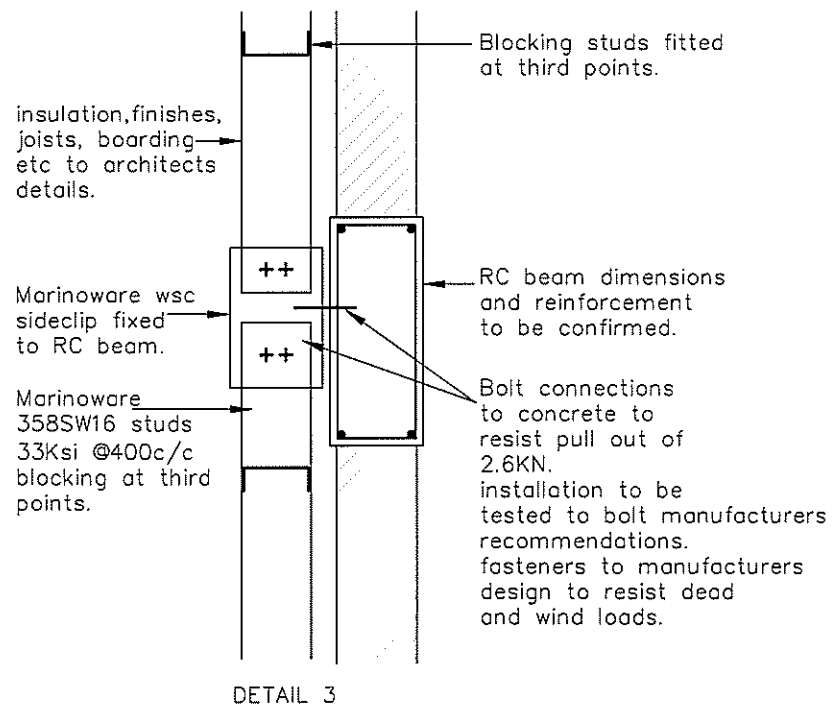
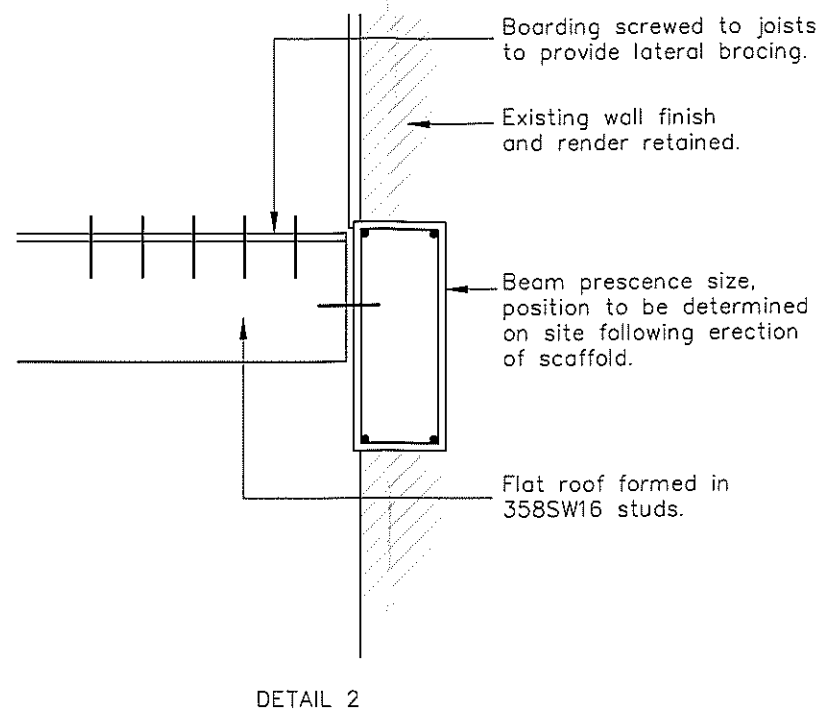
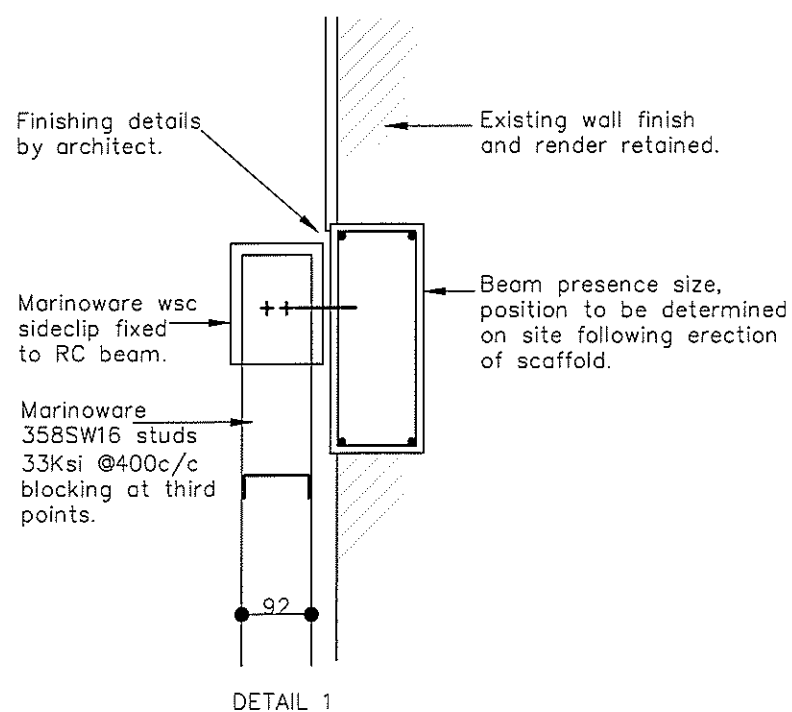
This drawing is the copyright and property of AKS Architects and Engineers Ltd. It must not be copied or published without written consent.


Do not scale from this drawing.

All dimensions to be checked on site.

All works subject to inspection from scaffold

Extent of concrete repair works to be determined.



P1	07.06.12	Preliminary
rev	date	description
 AKS ARCHITECTS & ENGINEERS P.O. Box 855, Gibraltar Tel: (+350) 20073260 Fax: (+350) 20074739 Email: mail@aks.gi		
client		
GJBS Mons Calpe Road North Mole		
project		
Sunset Views Remedial works		
title		
Details		
scale		
1:10@A3		
drw	TE	chk IR
drawing no.	rev.	date
S212038.401	P1	07.06.12