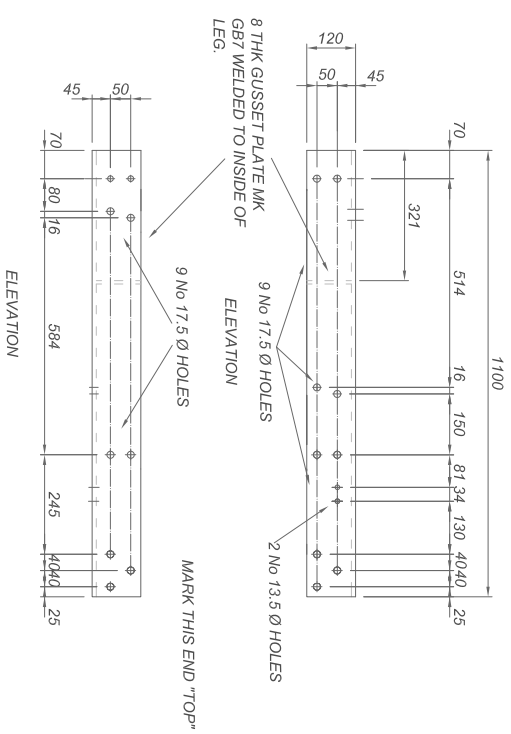
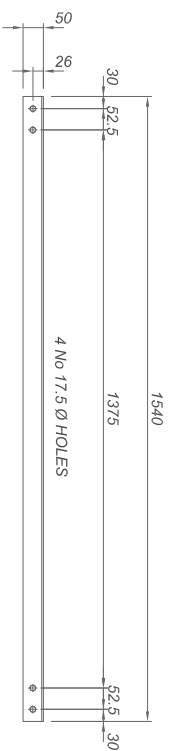


GENERAL NOTES.

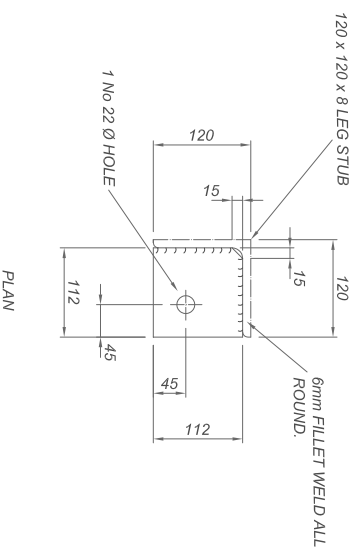
1. DO NOT SCALE THIS DRAWING.
 2. ALL DIMENSIONS ARE IN mm UNLESS OTHERWISE SPECIFIED
 3. THIS DRAWING TO BE READ IN CONJUNCTION WITH DRG Nos 12599/L/100, & 102.
- STEELWORK:
- 4) ALL MATERIAL TO BE GRADE S275JO TO BS EN 10026.
 - 5) THERMAL CUTTING OF HOLES NOT TO BE USED.
 - 6) ALL WELDING TO BE CARRIED OUT IN ACCORDANCE WITH BS EN10112: 2001 AND BS EN 288 BY AN APPROVED WELDER CONFORMING TO THE REQUIREMENTS OF BS EN 287, PART 1
 - 7) HOLES TO BE 1.5mm LARGER THAN BOLTS.
 - 8) ALL STEEL AND BOLTS TO BE HOT DIPPED GALVANISED TO BS EN ISO 1461
 - 9) ALL BOLTS TO BE GRADE 8.8 IN COMPLIANCE WITH BS 4190 AND SUPPLIED WITH RECTANGULAR SECTION SINGLE COIL SPRING WASHERS TO BS 4320 UNLESS NOTED OTHERWISE.
 - 10) ALL MEMBERS TO BE HARD STAMPED WITH MARK NUMBER.
 - 11) REFER TO MATERIAL LIST 12599/MGB 1 AND BOLT LIST 12599/GB1.



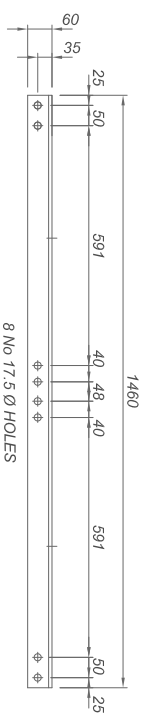
MK GB1 - 4 No THUS



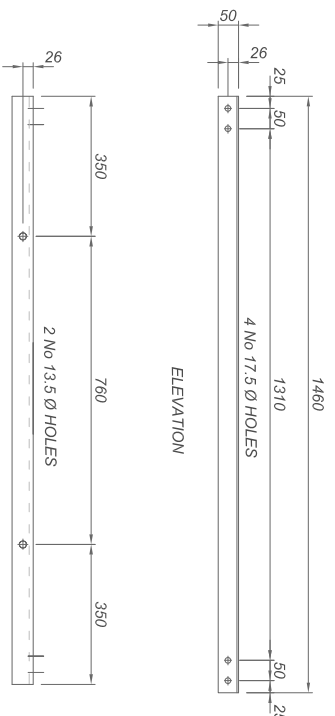
MK GB3 - 4 No THUS



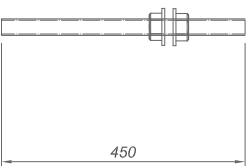
**CLEAT
MK GB7 - 4 No THUS**



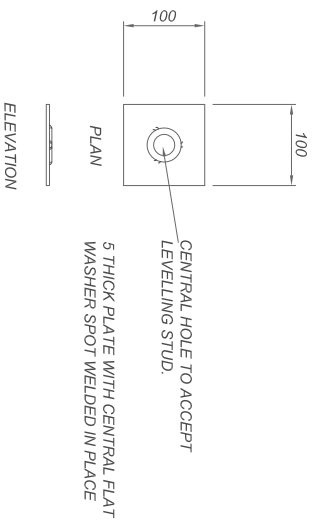
MK GB2 - 4 No THUS



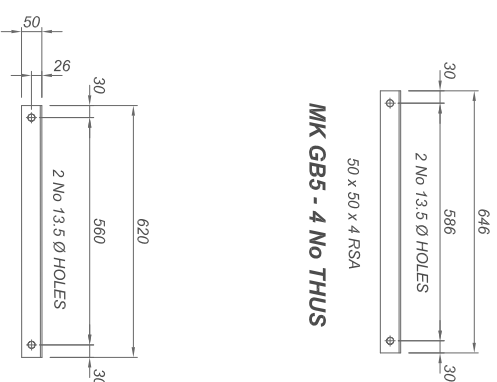
MK GB4 - 4 No THUS



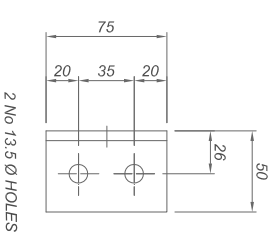
**LEVELLING STUD
MK GB8 - 4 No THUS**



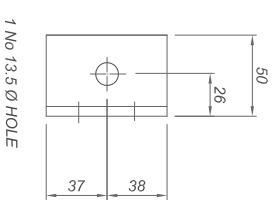
**WASHER PLATE
MK GB9 - 4 No THUS**



MK GB5 - 4 No THUS



MK GB6 - 4 No THUS



**EARTH CLEAT
4 No THUS**

Rev	Date	By	Chkd
B	25/07/12	MW	MW
A	20/07/12	MW	MW
	17/07/12	MW	MW

STUB SHORTENED AND LEVELLING GUSSET REPOSITIONED.
EARTH TAPE HOLE ADDED TO LEG STUB.
INITIAL ISSUE

MW Structures

Telecommunication Design & Management

Tempest Meads, Broughton Hall Business Park, Broughton,
Skipton, North Yorkshire, BD23 3AE
Telephone : +44 (0) 1756 700 942

Project	AROIVA : GIBALTAR DTT & DAB TOWER
Title	FABRICATION DETAILS FOUNDATION GRILLAGE
Scale	N T S
Date	12.07.12
Drawn by	RC
Checked by	MDW
	12599/D/103B